



INDOOR

- LED SPOT TRACK LIGHTS
- SPOT TRACK LIGHTS
- LED DOWN LIGHTS
- DOWN LIGHTS
- LED MULTI DOWN LIGHTS
- MULTI DOWN LIGHTS
- WALL LIGHTS
- LED PENDANT LIGHTS



RARO spotlights with Spherolit technology include diverse and efficient light solutions for corporate lighting to present products in a professional and eye-catching style thereby creating a recognisable image for the brand environment.

INDOOR LED PENDANT LIGHTS



DS-502.301 New

DESCRIPTION

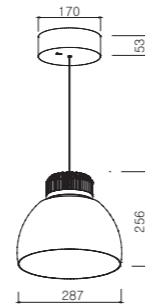
Material : AL,Die-Casting, Powder Coating
 Lamp : LED(CUBE AC) 2000lm
 Beam Angle : 60°
 Color Temp : 3000K / 4000K
 C.R.I : Ra > 80

LED & Converter included



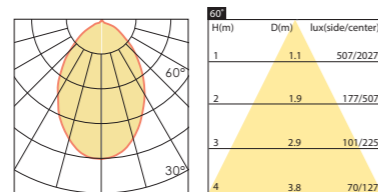
WHITE

TILTING, ROTATION & DRAWINGS



DISTRIBUTION CURVE

THERMAL POWER (W)	COLOR TEMPERATURE (K)	MODULE LUMINOUS FLUX(lm)	LUMINANCE EFFICIENCY (lm/w)	COLOR RENDERING INDEX_CRI	BEAM ANGLE (°)
20W	3000K	1680	84lm/w	80	60
20W	4000K	1840	92lm/w	80	60



DS-502.301.2 New

DESCRIPTION

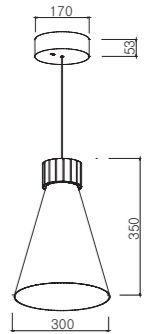
Material : AL,Die-Casting, Powder Coating
 Lamp : LED(CUBE AC) 2000lm
 Beam Angle : 45°
 Color Temp : 3000K / 4000K
 C.R.I : Ra > 80

LED & Converter included



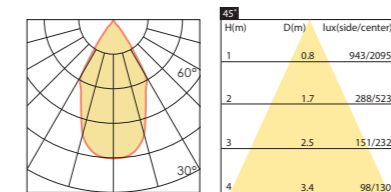
WHITE

TILTING, ROTATION & DRAWINGS



DISTRIBUTION CURVE

THERMAL POWER (W)	COLOR TEMPERATURE (K)	MODULE LUMINOUS FLUX(lm)	LUMINANCE EFFICIENCY (lm/w)	COLOR RENDERING INDEX_CRI	BEAM ANGLE (°)
20W	3000K	1680	84lm/w	80	45
20W	4000K	1840	92lm/w	80	45





DS-5003 New **DS-5003P/D** New

DESCRIPTION

Material : AL,Die-Casting, Powder Coating
Reflector : AL,Die-Casting
Lamp : COB LED 2000lm
SMPS : 20W
Beam Angle : 24°
Color Temp : 3000K / 5000K
C.R.I : Ra > 80
 *COB LED with a lens of optical

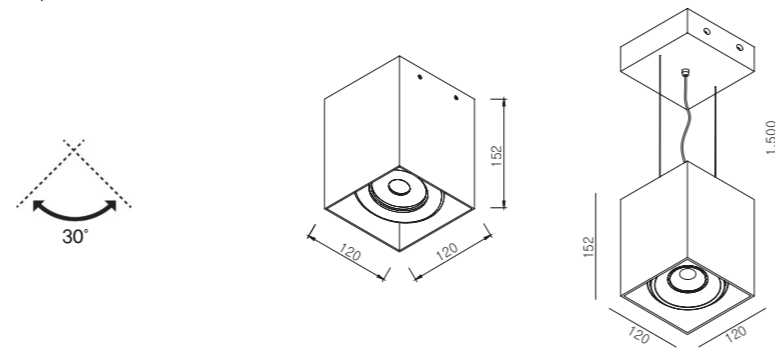
LED & Converter included
 imported or domestic lamp available



WHITE

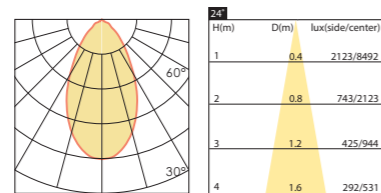


TILTING, ROTATION & DRAWINGS



DISTRIBUTION CURVE

THERMAL POWER (W)	COLOR TEMPERATURE (K)	MODULE LUMINOUS FLUX(lm)	LUMINANCE EFFICIENCY (lm/w)	COLOR RENDERING INDEX_CRI	BEAM ANGLE (°)
20W	3000K	2000	100lm/w	80	24
20W	5000K	2000	100lm/w	80	24



DS-5005 New **DS-5005P/D** New

DESCRIPTION

Material : AL,Die-Casting, Powder Coating
Reflector : AL,Die-Casting
Lamp : COB LED 2000lm
SMPS : 20W
Beam Angle : 24°
Color Temp : 3000K / 5000K
C.R.I : Ra > 80
 *COB LED with a lens of optical

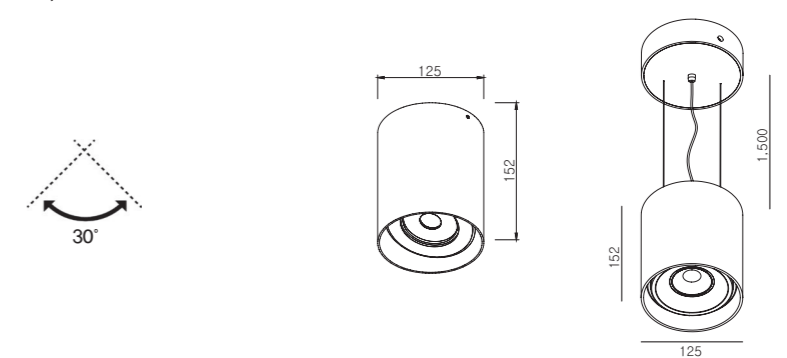
LED & Converter included
 imported or domestic lamp available



WHITE



TILTING, ROTATION & DRAWINGS



DISTRIBUTION CURVE

THERMAL POWER (W)	COLOR TEMPERATURE (K)	MODULE LUMINOUS FLUX(lm)	LUMINANCE EFFICIENCY (lm/w)	COLOR RENDERING INDEX_CRI	BEAM ANGLE (°)
20W	3000K	2000	100lm/w	80	24
20W	5000K	2000	100lm/w	80	24

